

VAL SNK C CD

VALUE Tap Range Lever Monobloc Sink Mixer Chrome With Ceramic Disc Valves



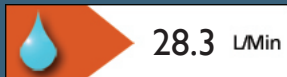
Features:

- Long life and easy to use 1/4 turn ceramic disc valves
- Metal fixing nut for added durability
- Supplied with 3" (76mm) metal lever handles

Product Certifications:



WRAS Expiry Date: 31/12/2024
WRAS Cert. Number: 1911900



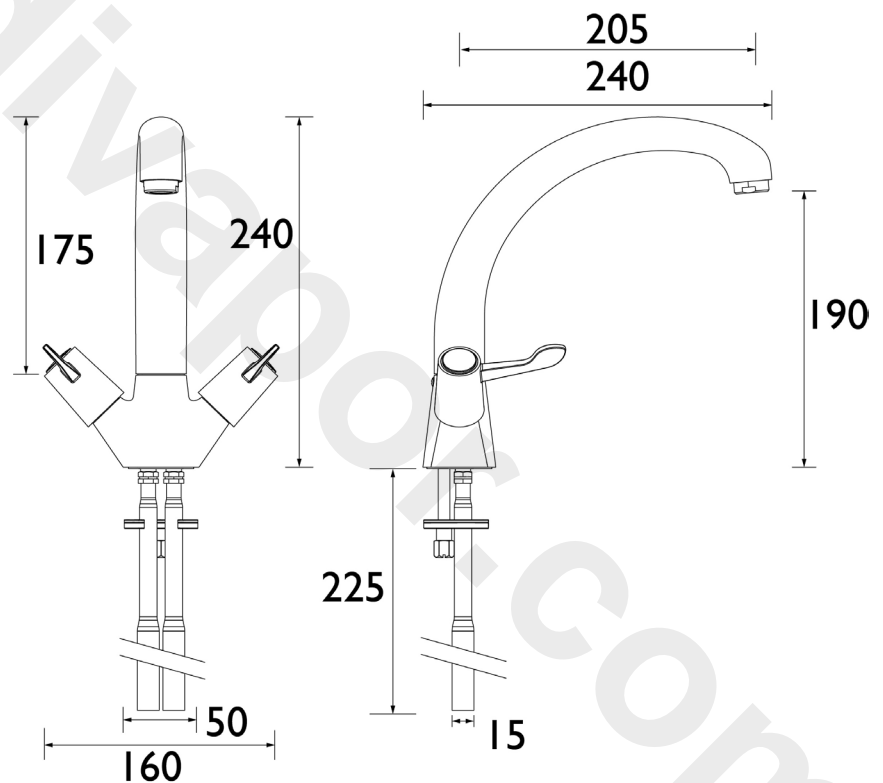
For more products, visit our website:
<http://www.bristan.com>



Specification

Product Type:	Kitchen Tap
Main Construction Material:	Brass
Mount Type:	Deck Mounted
Handle Type:	3" Lever Handles
Connection Inlet:	15mm Copper Tails
Connection Outlet:	N/A
Number of Tap Holes:	1
Valve/Cartridge Type:	Quarter Turn Ceramic Disc Valves
Plumbing System Requirements:	All - Ideally Balanced
Working Pressure Range:	Min. 0.2 Bar - Max 8.0 Bar
Maximum Hot Water Temperature: °C	60
Maximum Static Pressure: (bar)	10
Flow Type:	Singlr Flow
Isolation Included:	No

Dimensions (measurements in mm)



Flow Rates (l/min)

System Pressure (bar)	0.2	0.5	1	2	3	5
VAL SNK C CD	7.3	11.6	16.5	23.1	28.3	36.6

TECHNICAL DATA SHEET



BRISTAN

D10